



**ST. CLAIR CATHOLIC
DISTRICT SCHOOL BOARD**

Lighting the Way ~ Rejoicing in Our Journey

**REQUEST FOR TENDER
FOR
ROOFING TENDER**

**Holy Family Catholic School Wallaceburg, ON
Our Lady of Fatima Catholic School Chatham, ON
Ursuline College Chatham Chatham, ON**

**RFT #: 616-CP1516
619-CP1517
725-CP1512**

ADDENDUM #1

DRAWINGS

DUE DATE: June 10, 2015 at 2:00:00p.m., Local Time

Mailing Address:

Mr. Tony Prizio
Purchasing Department
St. Clair Catholic District School Board
420 Creek Street
Wallaceburg, ON
N8A 4C4

ADDENDUM #1

A1. Drawings for all three locations.

This concludes the addendum #1.

ST. CLAIR CATHOLIC DISTRICT SCHOOL BOARD

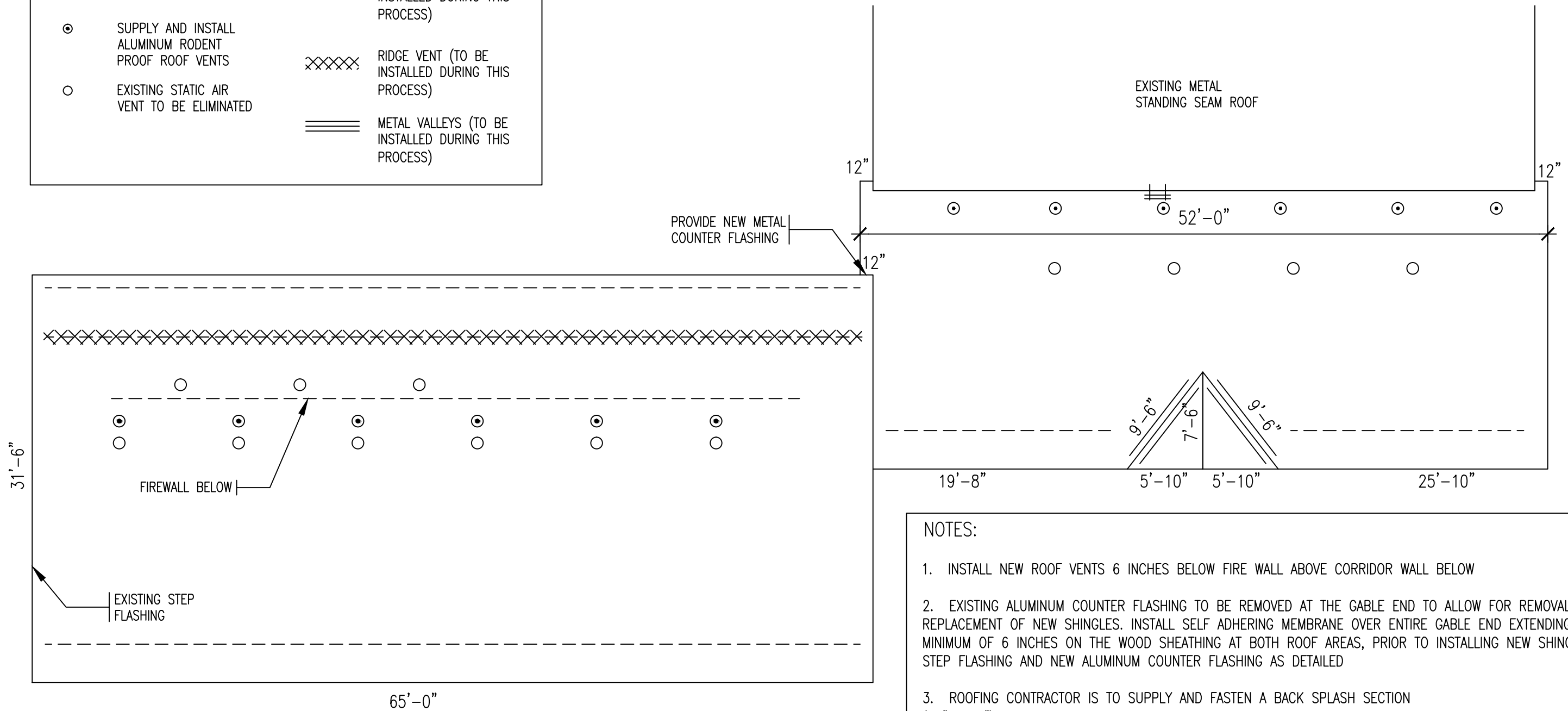
At

**HOLY FAMILY CATHOLIC SCHOOL
649 MURRAY STREET
WALLACEBURG ONTARIO
N8A 1W1**

FTCY RPI U

LEGEND

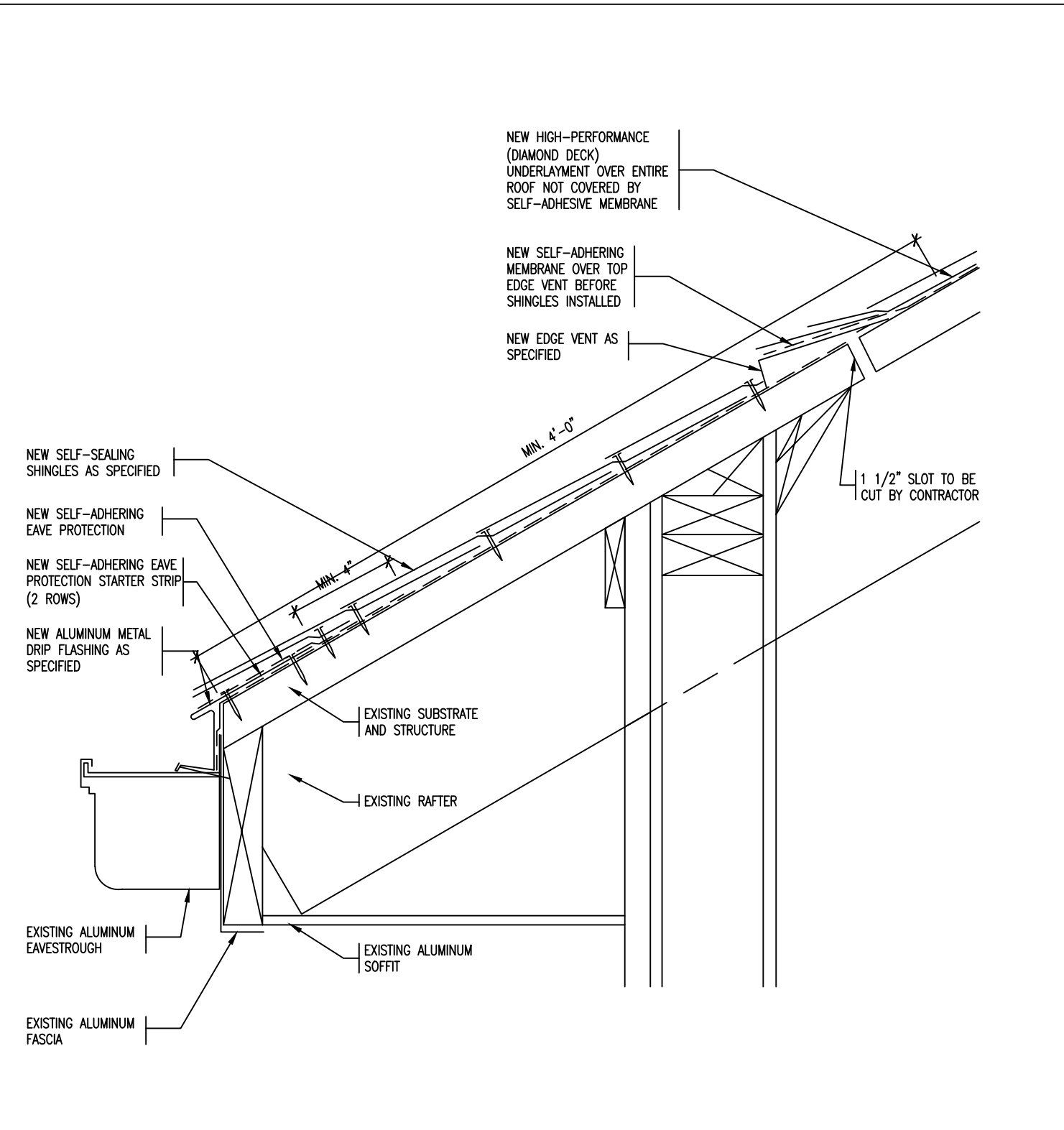
- ⊥ EXISTING WALL LEDGE
- ⊙ SUPPLY AND INSTALL ALUMINUM RODENT PROOF ROOF VENTS
- EXISTING STATIC AIR VENT TO BE ELIMINATED
- EDGE VENT (TO BE INSTALLED DURING THIS PROCESS)
- XXXXX RIDGE VENT (TO BE INSTALLED DURING THIS PROCESS)
- ≡ METAL VALLEYS (TO BE INSTALLED DURING THIS PROCESS)



- NOTES:**
1. INSTALL NEW ROOF VENTS 6 INCHES BELOW FIRE WALL ABOVE CORRIDOR WALL BELOW
 2. EXISTING ALUMINUM COUNTER FLASHING TO BE REMOVED AT THE GABLE END TO ALLOW FOR REMOVAL AND REPLACEMENT OF NEW SHINGLES. INSTALL SELF ADHERING MEMBRANE OVER ENTIRE GABLE END EXTENDING MINIMUM OF 6 INCHES ON THE WOOD SHEATHING AT BOTH ROOF AREAS, PRIOR TO INSTALLING NEW SHINGLES, STEP FLASHING AND NEW ALUMINUM COUNTER FLASHING AS DETAILED
 3. ROOFING CONTRACTOR IS TO SUPPLY AND FASTEN A BACK SPLASH SECTION (12" x 12") OF ALUMINUM FLASHING ON THE EAVES TROUGH AT THE BOTTOM OF EACH VALLEY LOCATION

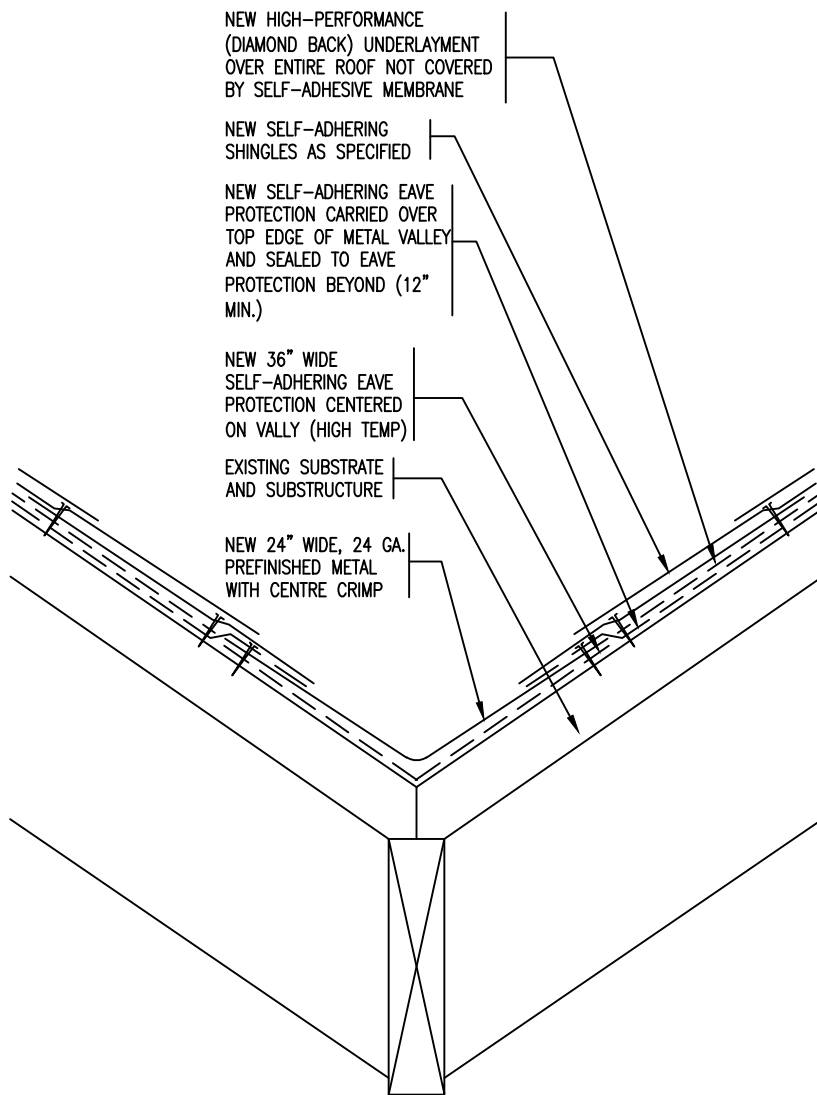
ROOF PLAN
SCALE : 1/8" = 1'-0"

REMLAP BUILDING SERVICES INC. ROOF MAINTENANCE, DESIGN AND INSPECTION PROGRAMS BUILDING ENVELOPES (AIR/WAPOUR BARRIER/WATER PROOFING) SURVEYS AND CONDITIONS OF ROOFS AND BUILDINGS Christopher W. Palmer, C.E.T. 1407 Gore Road Harrow, Ontario N0R 1G0	PROJECT PARTIAL ROOF REPLACEMENT FOR HOLY FAMILY CATHOLIC SCHOOL 649 MURRAY ST., WALLACEBURG, ONTARIO, N8A 1W1	DATE : MAY 2015 SCALE : AS SHOWN DRAWN BY : CWP
	CLIENT ST. CLAIR CATHOLIC DISTRICT SCHOOL BOARD	CHK. BY : CWP SHEET SIZE : 11"x17"
	DATE (MM-DD-YY) - ISSUED FOR OWNER REVIEW	DRAWING TITLE PARTIAL ROOF PLAN
		PROJECT FILE NO. RBS15-02 DRAWING NO. R-1

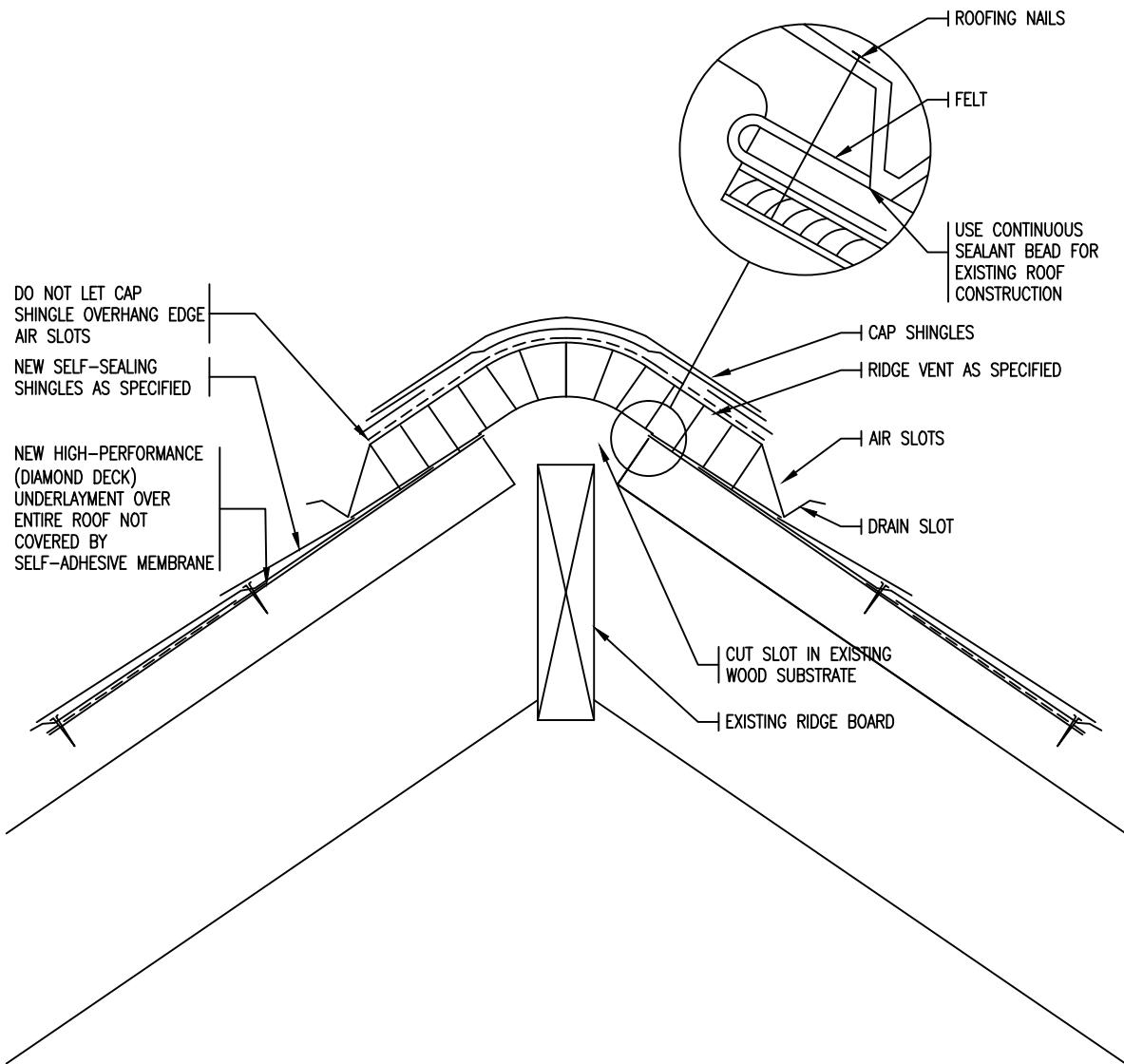


NOTE:
 WOOD CEDAR SHAKES ARE REQUIRED
 TO BE INSTALLED AT EACH END OF
 EDGE VENT (COVERED WITH EAVE
 PROTECTION) FOR A GRADUAL
 CONTOUR OF SHINGLES OVER TOP

PROJECT	DATE :	MAY 2015
PARTIAL ROOF REPLACEMENT FOR HOLY FAMILY CATHOLIC SCHOOL	SCALE :	N.T.S.
649 MURRAY ST., WALLACEBURG, ONTARIO, NBR 1W1	DRAWN BY :	CWP
CLIENT	CHK. BY :	CWP
ST. CLAIR CATHOLIC DISTRICT SCHOOL BOARD	SHEET SIZE :	8.1/2"x11"
DRAWING TITLE	PROJECT FILE NO.	RBS15-02
EDGE VENT DETAIL (NEAR EAVES)	DRAWING NO.	D-1



PROJECT	DATE :	MAY 2015
PARTIAL ROOF REPLACEMENT FOR HOLY FAMILY CATHOLIC SCHOOL	SCALE :	N.T.S.
649 MURRAY ST., WALLACEBURG, ONTARIO, NBR 1W1	DRAWN BY :	CWP
CLIENT	CHK. BY :	CWP
ST. CLAIR CATHOLIC DISTRICT SCHOOL BOARD	SHEET SIZE :	8.1/2"x11"
DRAWING TITLE	PROJECT FILE NO.	RBS15-02
TYP. VALLEY DETAIL	DRAWING NO.	D-2



NOTE:
 WOOD CEDAR SHAKES ARE REQUIRED
 TO BE INSTALLED AT EACH END OF
 RIDGE VENT (COVERED WITH EAVE
 PROTECTION) FOR A GRADUAL
 CONTOUR OF SHINGLES OVER TOP

PROJECT PARTIAL ROOF REPLACEMENT FOR HOLY FAMILY CATHOLIC SCHOOL 649 MURRAY ST., WALLACEBURG, ONTARIO, NBR 1W1	DATE : MAY 2015
	SCALE : N.T.S.
	DRAWN BY : CWP
CLIENT ST. CLAIR CATHOLIC DISTRICT SCHOOL BOARD	CHK. BY : CWP
	SHEET SIZE : 8.1/2"x11"
DRAWING TITLE RIDGE VENT DETAIL	PROJECT FILE NO. RBS15-02
	DRAWING NO. D-3

ST. CLAIR CATHOL DISTRICT SCHOOL BOARD

AT

OUR LADY OF FATIMA CATHOLIC SCHOOL
545 BALDOON ROAD
CHATHAM ONTARIO
N7L 5A9

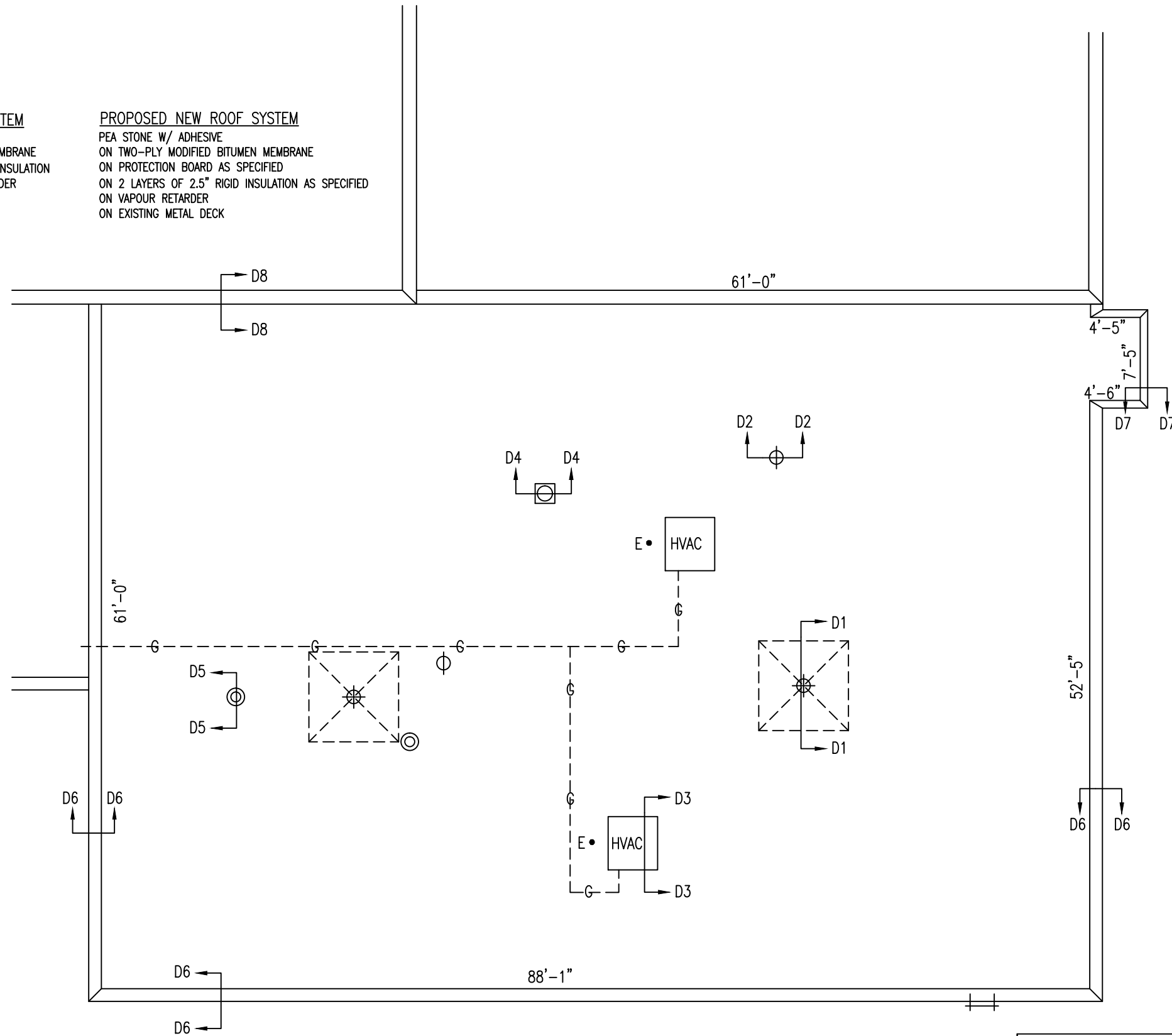
FTCY KPI U

APRIL 2015

EXISTING ROOF SYSTEM
 ROUND RIVER BALLAST
 ON LOOSE LAID EPDM MEMBRANE
 ON 1.4" KOPPERS RIGID INSULATION
 ON KRAFT VAPOUR RETARDER
 ON METAL DECK

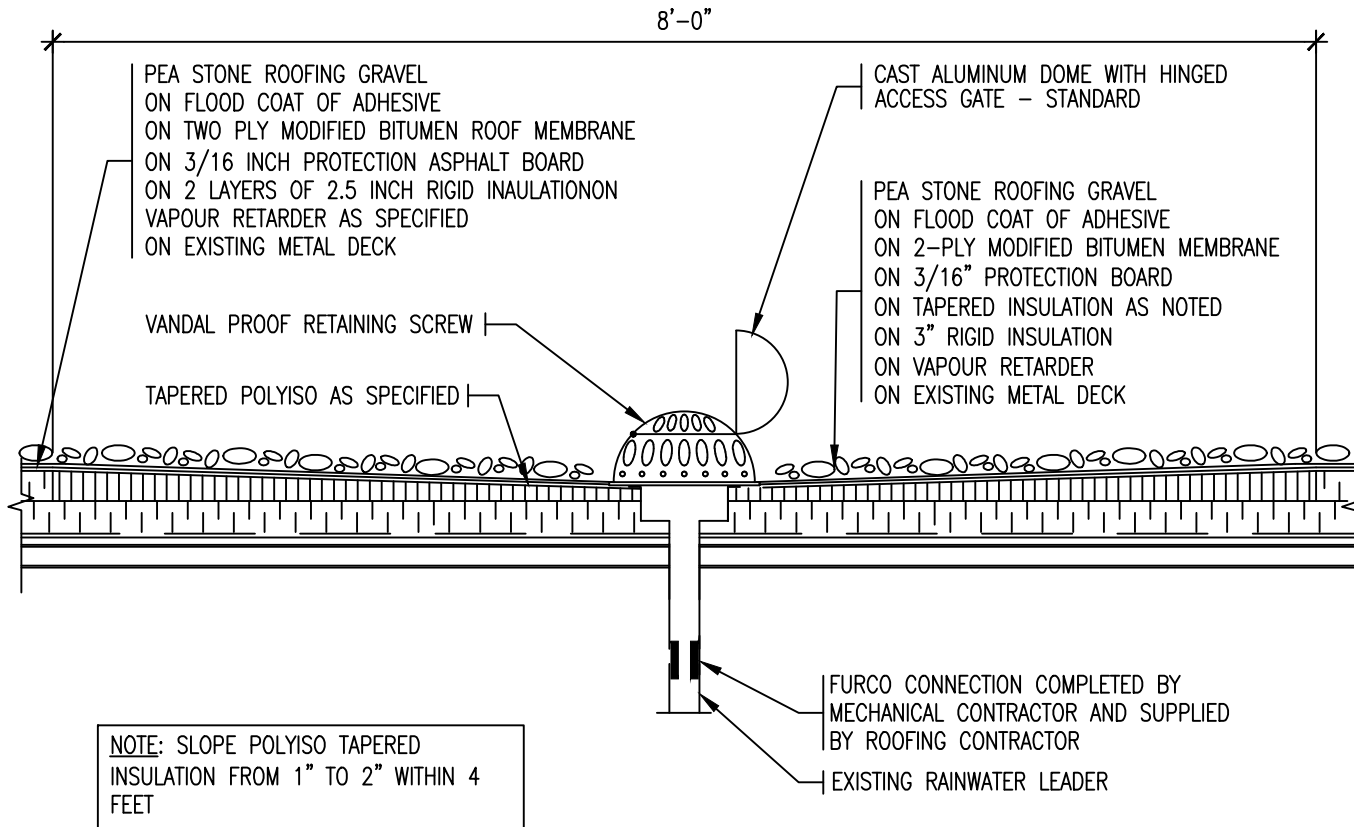
PROPOSED NEW ROOF SYSTEM
 PEA STONE W/ ADHESIVE
 ON TWO-PLY MODIFIED BITUMEN MEMBRANE
 ON PROTECTION BOARD AS SPECIFIED
 ON 2 LAYERS OF 2.5" RIGID INSULATION AS SPECIFIED
 ON VAPOUR RETARDER
 ON EXISTING METAL DECK

LEGEND	
	ROOF DRAIN
	VENT PIPE STACK
	HOT EXHAUST STACK
	ELECTRICAL THRU ROOF
	GAS LINE
	EXHAUST FAN
	HEATING, VENTILATION AIR CONDITION UNIT
	SUPPORT FOR EXTERIOR EXTENSION LADDER



PARTIAL ROOF PLAN
 SCALE : 3/32" = 1'-0"

REMLAP BUILDING SERVICES INC. ROOF MAINTENANCE, DESIGN AND INSPECTION PROGRAMS BUILDING ENVELOPES (AIR/VAPOUR BARRIER/WATER PROOFING) SURVEYS AND CONDITIONS OF ROOFS AND BUILDINGS Christopher W. Palmer, C.E.T. 1407 Gore Road Harrow, Ontario N0R 1G0 Office: (519) 738-3458 Cell: (519) 818-0653	PROJECT PARTIAL ROOF REPLACEMENT FOR OUR LADY OF FATIMA CATHOLIC SCHOOL 545 BALDOON RD., CHATHAM, ONTARIO, N7L 5A9	DATE : MAY 2015 SCALE : AS SHOWN DRAWN BY : CWP CHK. BY : CWP SHEET SIZE : 11"x17"
	CLIENT ST. CLAIR CATHOLIC DISTRICT SCHOOL BOARD	PROJECT FILE NO. RBS15-05 DRAWING NO. R-1
DATE (MM-DD-YY) 05-27-15	ISSUED FOR OWNER REVIEW	DRAWING TITLE PARTIAL ROOF PLAN

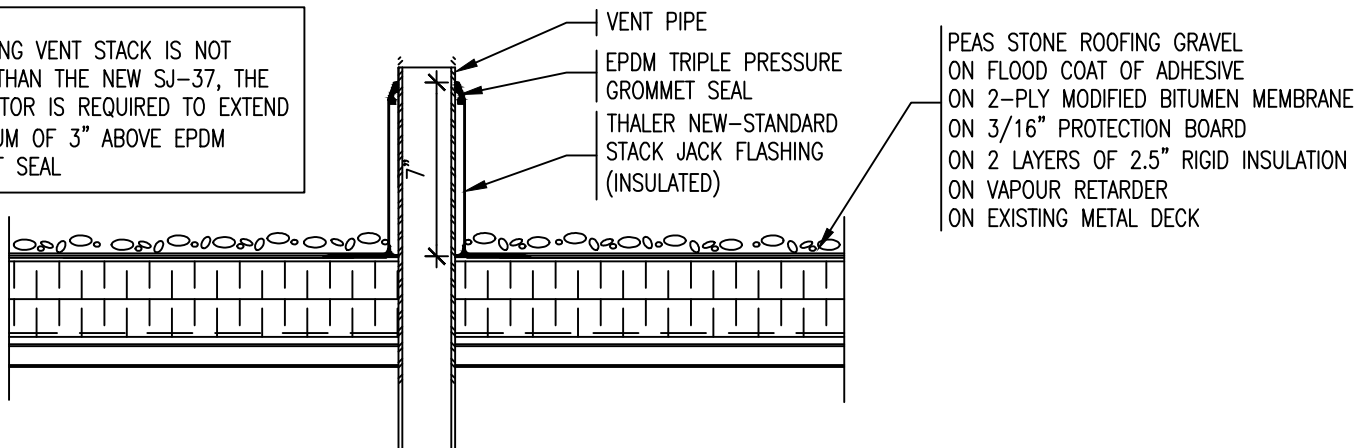


ROOF DRAIN DETAIL

SCALE : 1" = 1'-0"

PROJECT PARTIAL ROOF REPLACEMENT FOR OUR LADY OF FATIMA CATHOLIC SCHOOL	DATE : MAY 2015
545 BALDOON RD., CHATHAM, ONTARIO, N7L 5A9	SCALE : N.T.S.
CLIENT ST. CLAIR CATHOLIC DISTRICT SCHOOL BOARD	DRAWN BY : CWP
DRAWING TITLE ROOF DETAIL	CHK. BY : CWP
	SHEET SIZE : 8.1/2"x11"
	PROJECT FILE NO. RBS15-05
	DRAWING NO. D-1

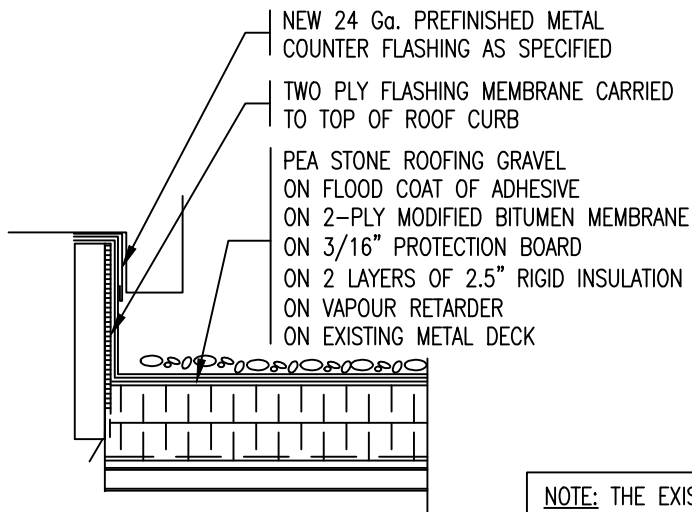
NOTE:
IF EXISTING VENT STACK IS NOT
HIGHER THAN THE NEW SJ-37, THE
CONTRACTOR IS REQUIRED TO EXTEND
A MINIMUM OF 3" ABOVE EPDM
GROMMET SEAL



VENT PIPE STACK DETAIL

SCALE : 1" = 1'-0"

PROJECT	DATE :	MAY 2015
PARTIAL ROOF REPLACEMENT FOR OUR LADY OF FATIMA CATHOLIC SCHOOL	SCALE :	N.T.S.
545 BALDOON RD., CHATHAM, ONTARIO, N7L 5A9	DRAWN BY :	CWP
CLIENT	CHK. BY :	CWP
ST. CLAIR CATHOLIC DISTRICT SCHOOL BOARD	SHEET SIZE :	8.1/2"x11"
DRAWING TITLE	PROJECT FILE NO.	RBS15-05
ROOF DETAIL	DRAWING NO.	D-2



NOTE: THE EXISTING HVAC UNIT IS REQUIRED TO BE LIFTED TO ALLOW FOR THE APPLICATION OF TWO PLY FLASHING MEMBRANE ON TOP PRIOR TO INSTALLING THE METAL COUNTER FLASHING ON TOP, THEN LOWER THE HVAC UNIT ON TOP THE METAL COUNTER FLASHING

HVAC CURB DETAIL

SCALE : 1" = 1'-0"

PROJECT	DATE :	MAY 2015
PARTIAL ROOF REPLACEMENT FOR OUR LADY OF FATIMA CATHOLIC SCHOOL	SCALE :	N.T.S.
545 BALDOON RD., CHATHAM, ONTARIO, N7L 5A9	DRAWN BY :	CWP
CLIENT	CHK. BY :	CWP
ST. CLAIR CATHOLIC DISTRICT SCHOOL BOARD	SHEET SIZE :	8.1/2"x11"
DRAWING TITLE	PROJECT FILE NO.	RBS15-05
ROOF DETAIL	DRAWING NO.	D-3

NEW PREFINISHED METAL
COUNTER FLASHING AS
SPECIFIED

PEA STONE ROOFING GRAVEL
ON FLOOD COAT OF ADHESIVE
ON 2-PLY MODIFIED BITUMEN MEMBRANE
ON 3/16" PROTECTION BOARD
ON 2 LAYERS OF 2.5" RIGID INSULATION
ON VAPOUR RETARDER
ON EXISTING METAL DECK

NOTE:
EXISTING HOOD TO BE REMOVED
TO ALLOW FOR BASE FLASHING
MEMBRANE W/ METAL COUNTER
FLASHING TO SIT ON TOP OF
CURB

EXISTING EXHAUST FAN

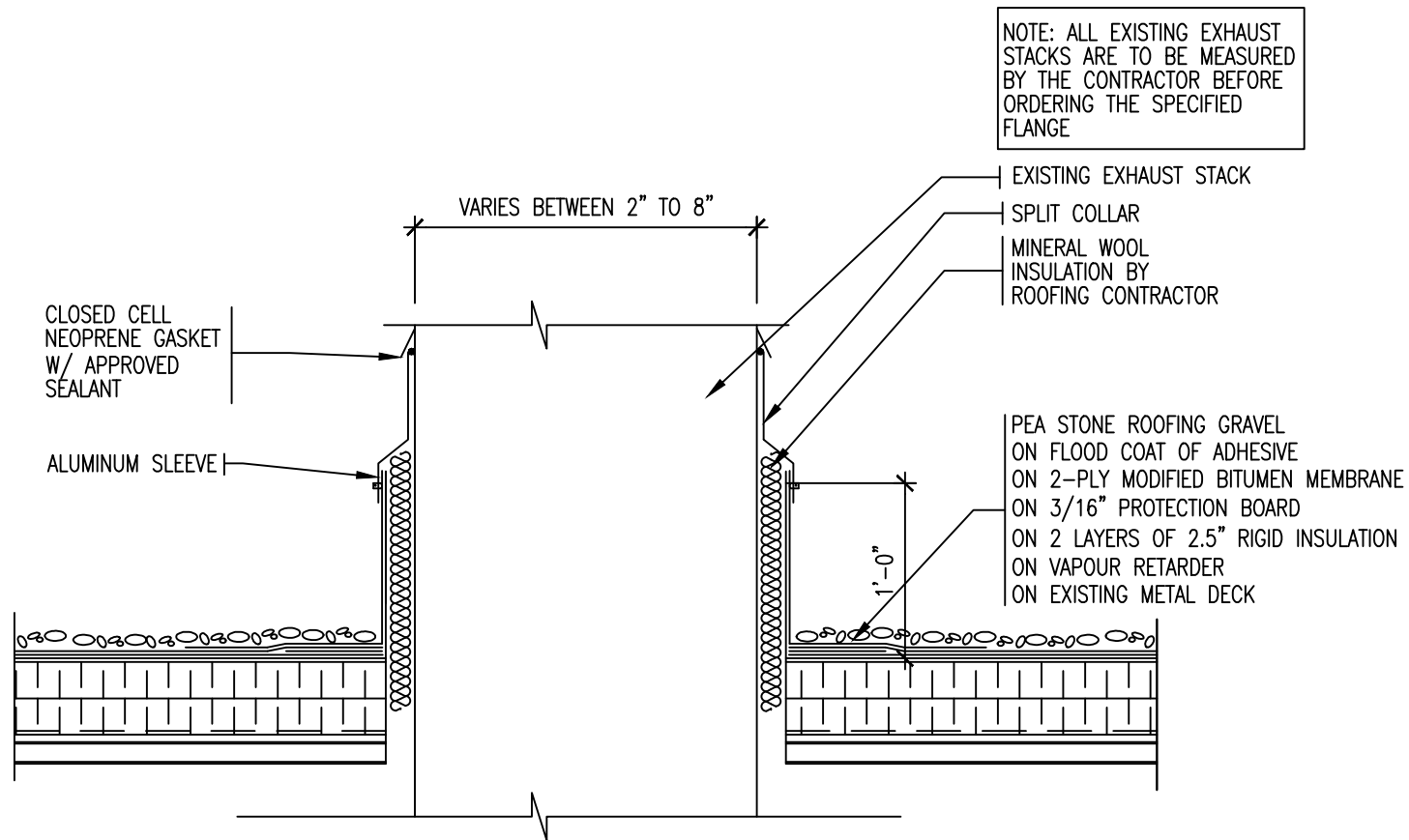
NEW 2-PLY MODIFIED
BITUMEN FLASHING
MEMBRANE AS SPECIFIED

11 1/2"

TYPICAL EXHAUST FAN DETAIL

SCALE : 1" = 1'-0"

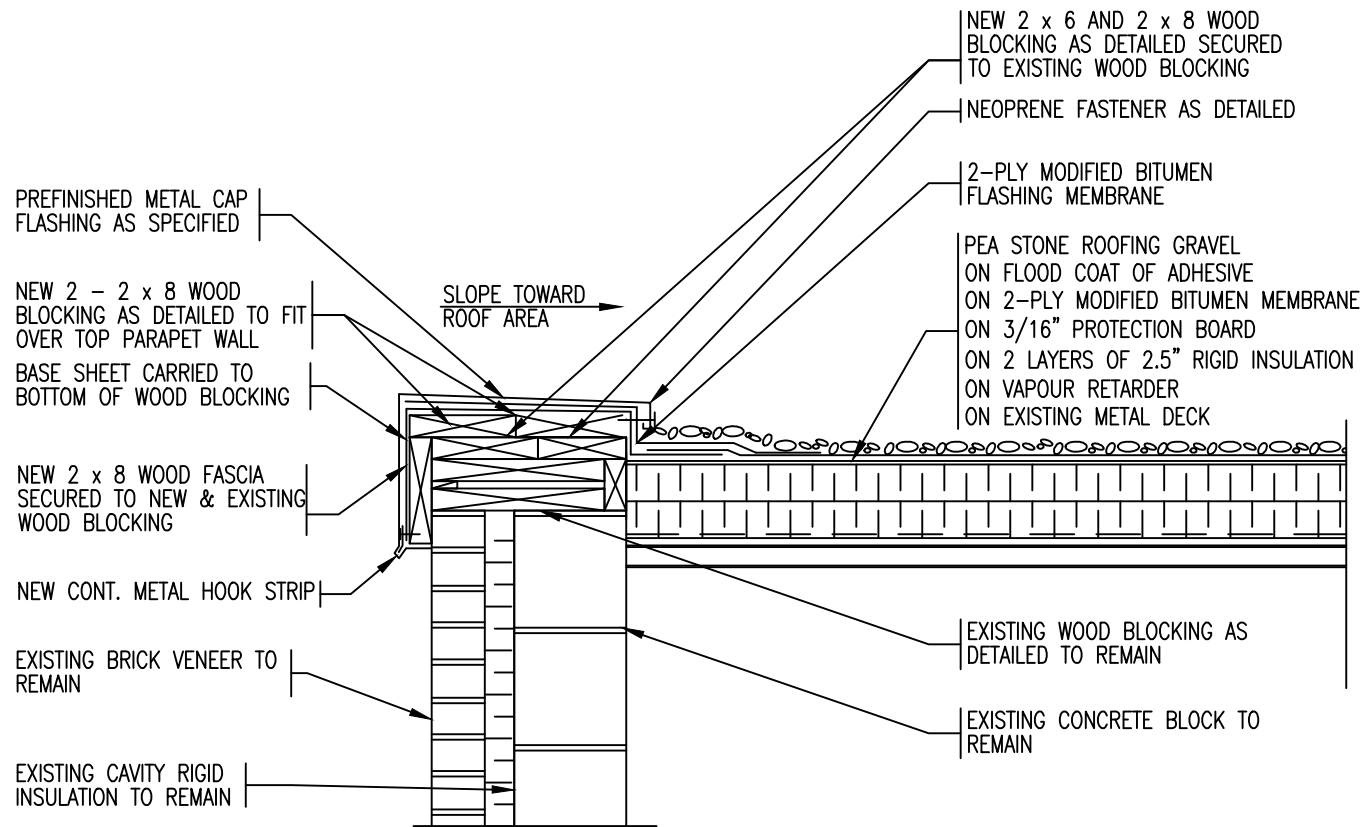
PROJECT PARTIAL ROOF REPLACEMENT FOR OUR LADY OF FATIMA CATHOLIC SCHOOL 545 BALDOON RD., CHATHAM, ONTARIO, N7L 5A9	DATE : MAY 2015
CLIENT ST. CLAIR CATHOLIC DISTRICT SCHOOL BOARD	SCALE : N.T.S.
DRAWING TITLE ROOF DETAIL	DRAWN BY : CWP
	CHK. BY : CWP
	SHEET SIZE : 8.1/2"x11"
	PROJECT FILE NO. RBS15-05
	DRAWING NO. D-4



TYPICAL HOT EXHAUST STACK DETAIL

SCALE : 1" = 1'-0"

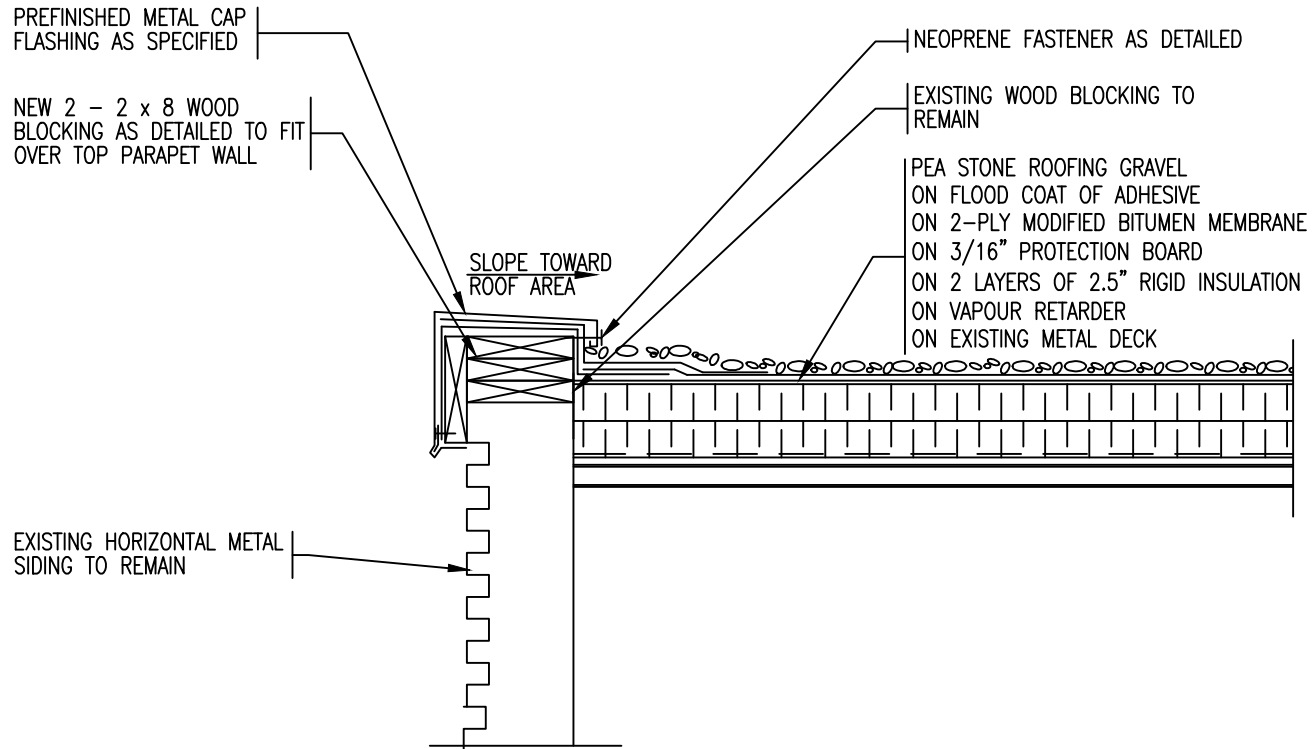
PROJECT PARTIAL ROOF REPLACEMENT FOR OUR LADY OF FATIMA CATHOLIC SCHOOL 545 BALDOON RD., CHATHAM, ONTARIO, N7L 5A9	DATE : MAY 2015
CLIENT ST. CLAIR CATHOLIC DISTRICT SCHOOL BOARD	SCALE : N.T.S.
DRAWING TITLE ROOF DETAIL	DRAWN BY : CWP
	CHK. BY : CWP
	SHEET SIZE : 8.1/2"x11"
	PROJECT FILE NO. RBS15-05
	DRAWING NO. D-5



PARAPET DETAIL

SCALE : 1" = 1'-0"

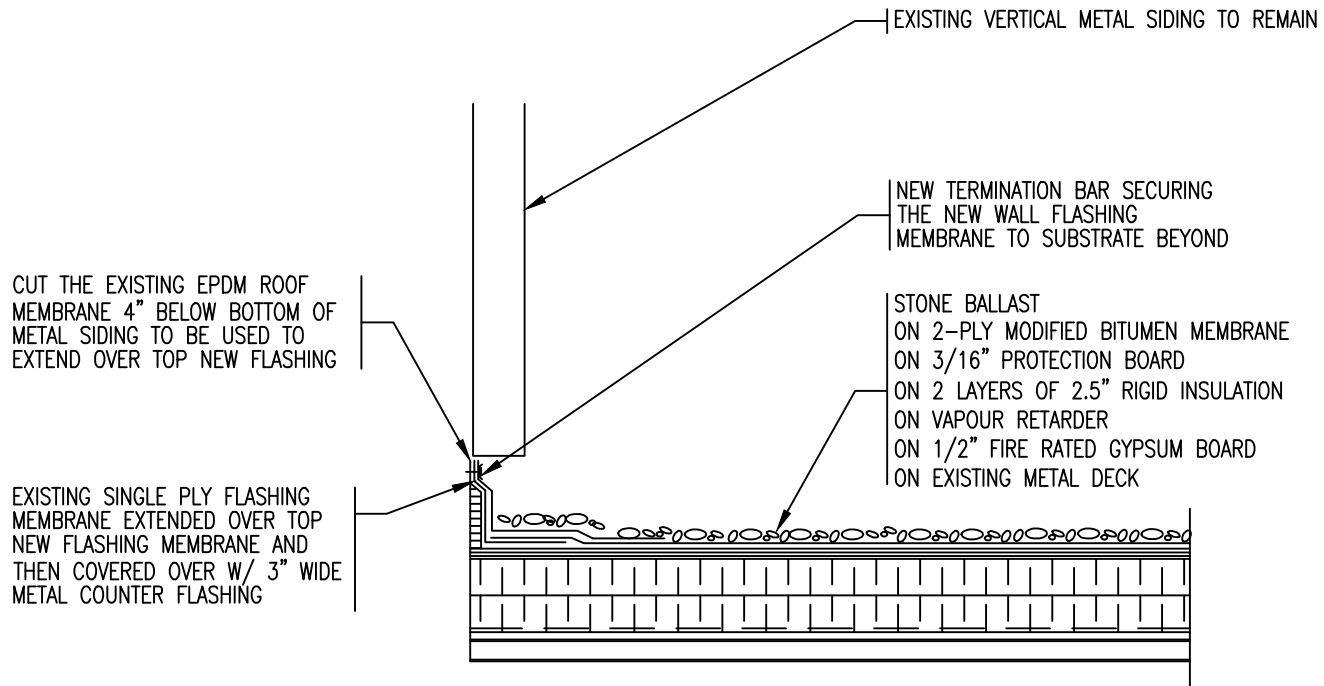
PROJECT	DATE :	MAY 2015
PARTIAL ROOF REPLACEMENT FOR OUR LADY OF FATIMA CATHOLIC SCHOOL	SCALE :	N.T.S.
545 BALDOON RD., CHATHAM, ONTARIO, N7L 5A9	DRAWN BY :	CWP
CLIENT	CHK. BY :	CWP
ST. CLAIR CATHOLIC DISTRICT SCHOOL BOARD	SHEET SIZE :	8.1/2"x11"
DRAWING TITLE	PROJECT FILE NO.	RBS15-05
ROOF DETAIL	DRAWING NO.	D-6



PARAPET DETAIL

SCALE : 1" = 1'-0"

PROJECT	DATE :	MAY 2015
PARTIAL ROOF REPLACEMENT FOR OUR LADY OF FATIMA CATHOLIC SCHOOL	SCALE :	N.T.S.
545 BALDOON RD., CHATHAM, ONTARIO, N7L 5A9	DRAWN BY :	CWP
CLIENT	CHK. BY :	CWP
ST. CLAIR CATHOLIC DISTRICT SCHOOL BOARD	SHEET SIZE :	8.1/2"x11"
DRAWING TITLE	PROJECT FILE NO.	RBS15-05
ROOF DETAIL	DRAWING NO.	D-7



WALL DETAIL

SCALE : 1" = 1'-0"

PROJECT	DATE :	APRIL 2015
PARTIAL ROOF REPLACEMENT FOR OUR LADY OF FATIMA CATHOLIC SCHOOL	SCALE :	N.T.S.
545 BALDOON RD., CHATHAM, ONTARIO, N7L 5A9	DRAWN BY :	CWP
CLIENT	CHK. BY :	CWP
ST. CLAIR CATHOLIC DISTRICT SCHOOL BOARD	SHEET SIZE :	8.1/2"x11"
DRAWING TITLE	PROJECT FILE NO.	RBS15-XX
ROOF DETAIL	DRAWING NO.	D-8

ST. CLAIR CATHOL DISTRICT SCHOOL BOARD

AT

URSULINE COLLEGE SECONDARY SCHOOL
85 GRAND AVENUE WEST
CHATHAM ONTARIO
N7L 1B6

FTCY RPI U

MAY 2015

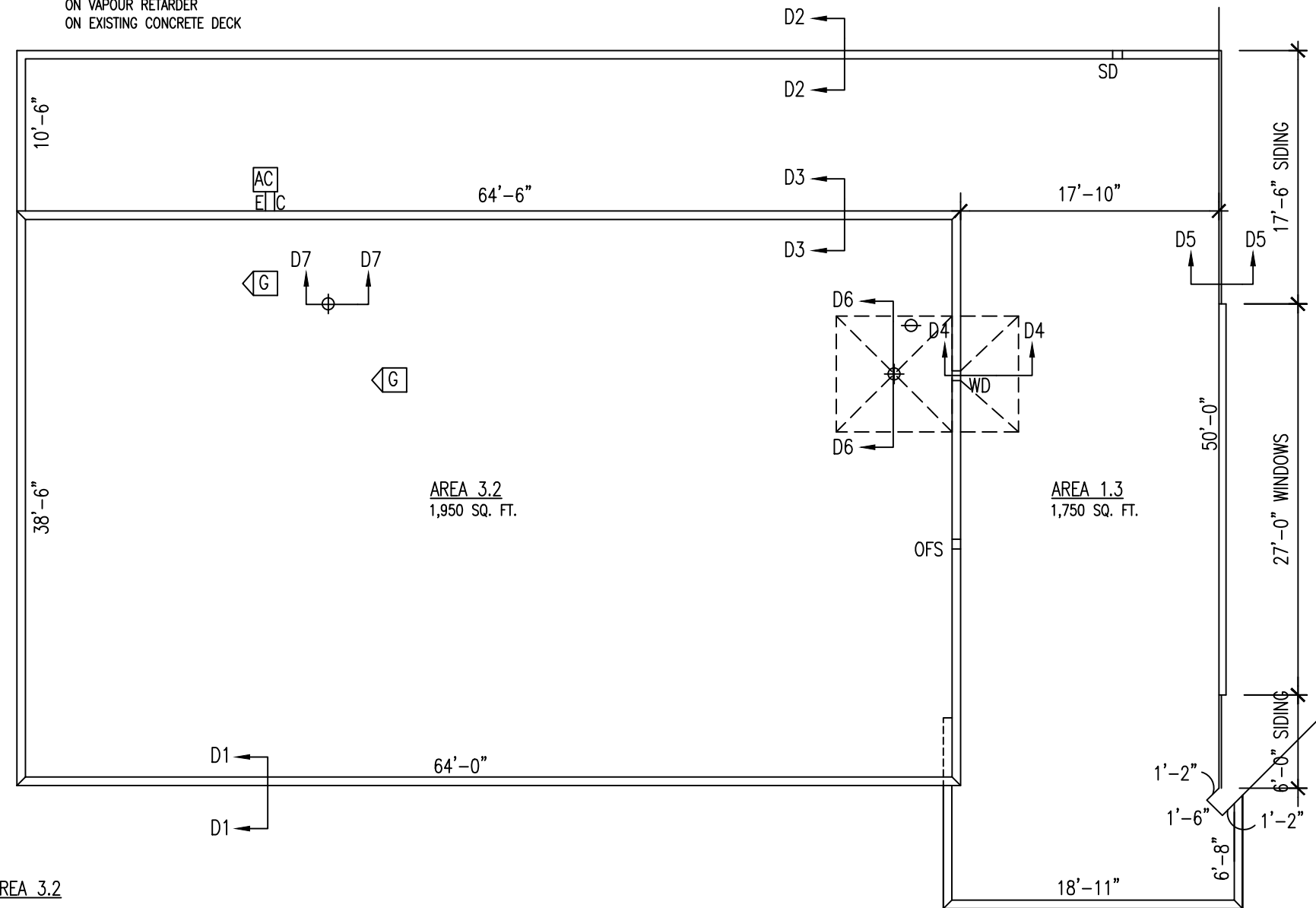
AREA 1.3

EXISTING ROOF SYSTEM

ROUND RIVER BALLAST
ON LOOSE LAID EPDM MEMBRANE
ON 2 INCH FIBREGLASS RIGID INSULATION
ON VAPOUR RETARDER
ON CONCRETE DECK

PROPOSED NEW ROOF SYSTEM

PEA STONE ROOFING GRAVEL
ON FLOOD COAT OF ADHESIVE
ON TWO-PLY MODIFIED BITUMEN MEMBRANE
ON PROTECTION BOARD AS SPECIFIED
ON 2 LAYERS OF 2.5" RIGID INSULATION AS SPECIFIED
ON VAPOUR RETARDER
ON EXISTING CONCRETE DECK



LEGEND	
\oplus	ROOF DRAIN
ϕ	VENT PIPE STACK
$\triangleleft G$	GOOSE NECK EXHAUST FAN
OFS	OVERFLOW SCUPPER
SD	SCUPPER DRAIN
WD	WALL DRAIN
AC	AIR CONDITION UNIT

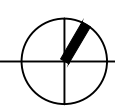
AREA 3.2

EXISTING ROOF SYSTEM

ROUND RIVER BALLAST
ON LOOSE LAID EPDM MEMBRANE
ON 2 INCH FIBREGLASS RIGID INSULATION
ON VAPOUR RETARDER
ON 1/2" GYPSUM BOARD
ON METAL DECK

PROPOSED NEW ROOF SYSTEM

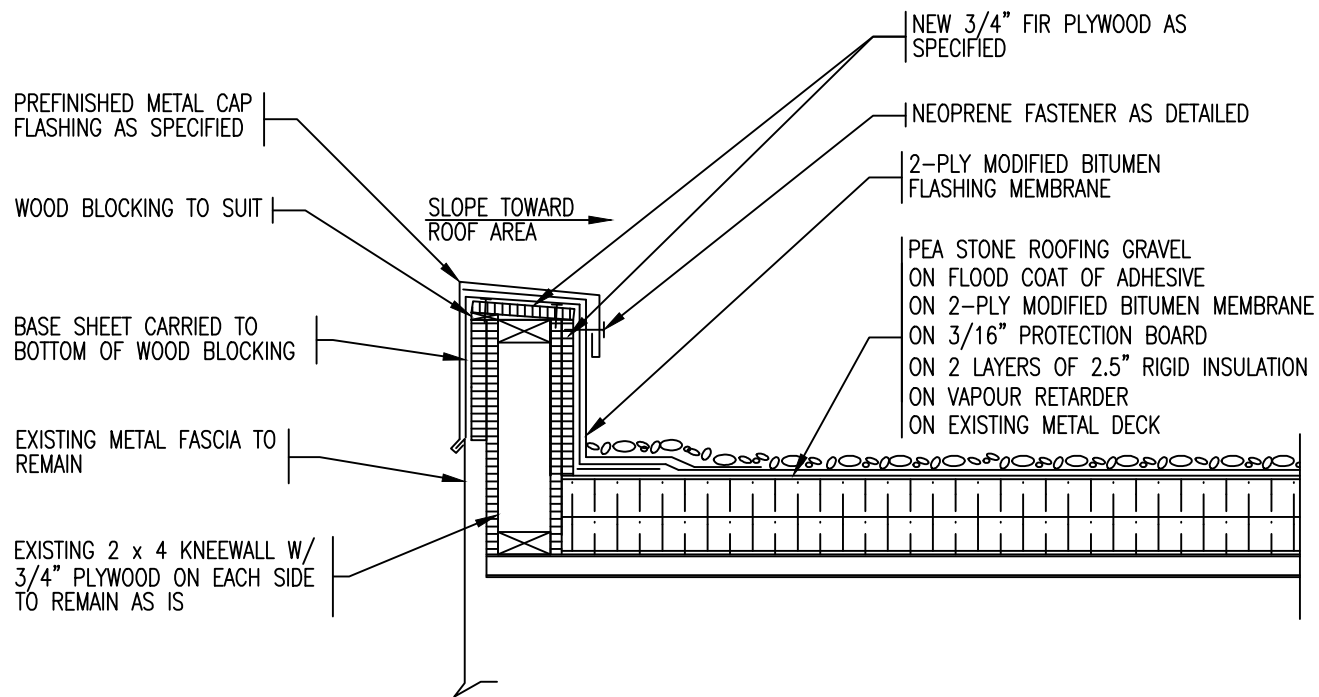
PEA STONE ROOFING GRAVEL
ON FLOOD COAT OF ADHESIVE
ON TWO-PLY MODIFIED BITUMEN MEMBRANE
ON PROTECTION BOARD AS SPECIFIED
ON 2 LAYERS OF 2.5" RIGID INSULATION AS SPECIFIED
ON VAPOUR RETARDER
ON EXISTING METAL DECK



PARTIAL ROOF PLAN

SCALE : 1" = 10'-0"

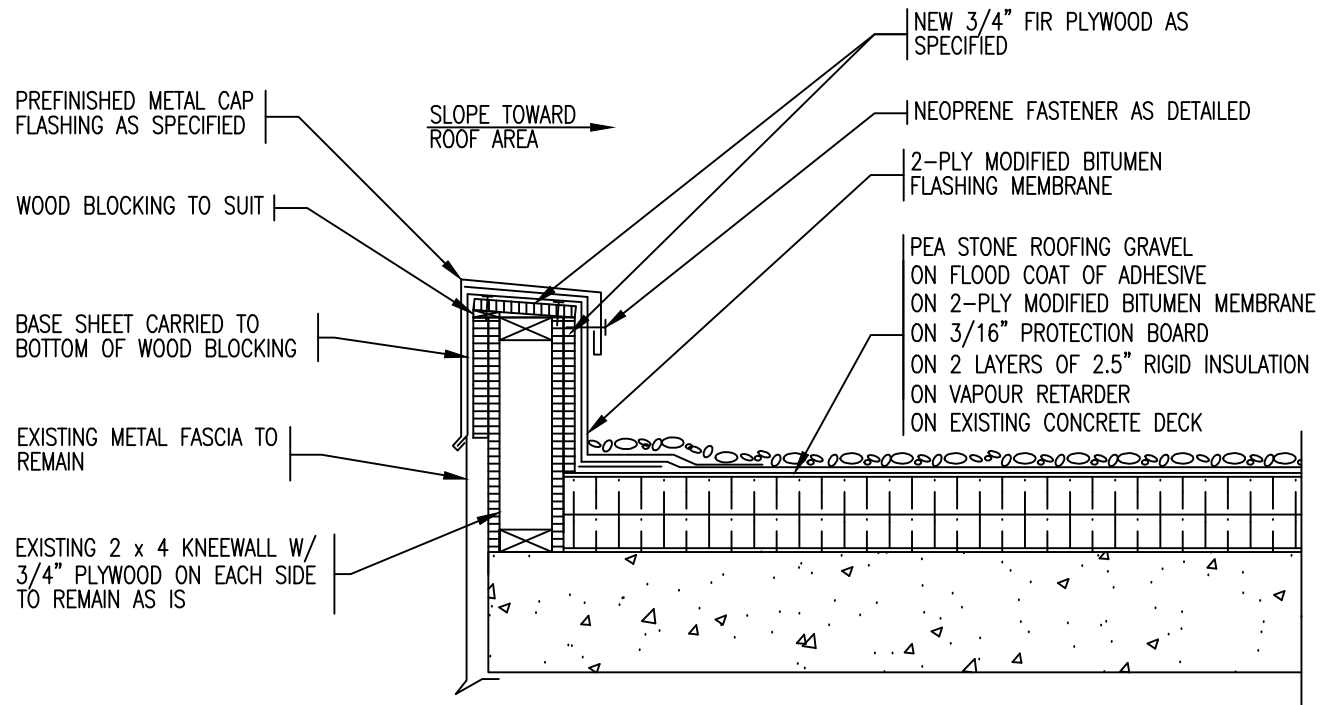
REMLAP BUILDING SERVICES INC. ROOF MAINTENANCE, DESIGN AND INSPECTION PROGRAMS BUILDING ENVELOPES (AIR/VAPOUR BARRIER/WATER PROOFING) SURVEYS AND CONDITIONS OF ROOFS AND BUILDINGS Christopher W. Palmer, C.E.T. 1407 Gore Road Harrow, Ontario N0R 1G0	PROJECT URSULINE COLLEGE SECONDARY SCHOOL 85 GRAND AVENUE WEST CHATHAM, ONTARIO	DATE : MAY 2015 SCALE : AS SHOWN DRAWN BY : CWP CHK. BY : CWP SHEET SIZE : 11"x17"
	CLIENT ST CLAIR CATHOLIC DISTRICT SCHOOL BOARD	PROJECT FILE NO. RBS15-15 DRAWING NO. R-1
DATE (MM-DD-YY) 05-27-15	ISSUED FOR TENDER	DRAWING TITLE ROOF PLAN



UPPER PARAPET DETAIL

SCALE : 1" = 1'-0"

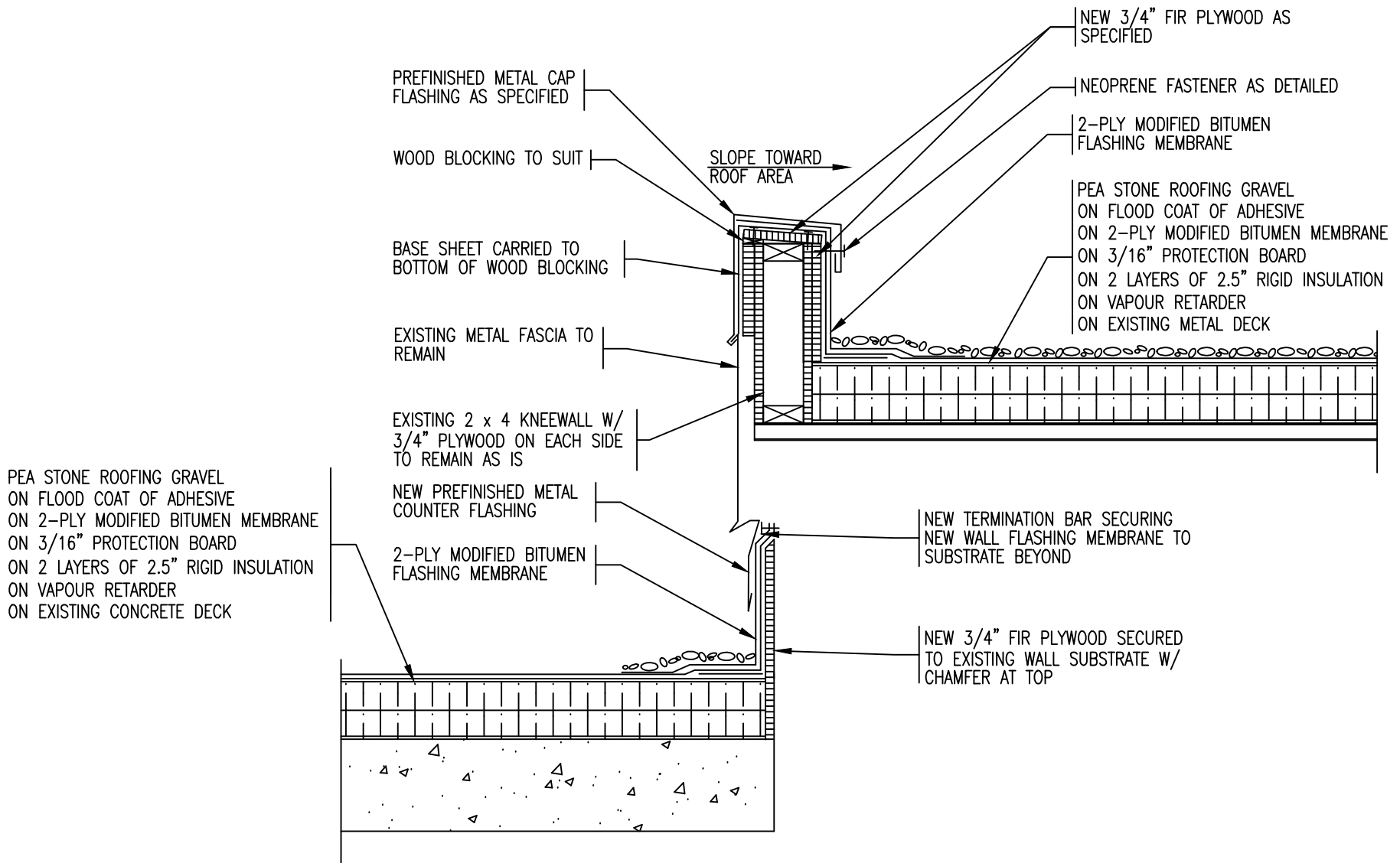
PROJECT URSULINE COLLEGE SECONDARY SCHOOL 85 GRAND AVENUE WEST CHATHAM, ONTARIO	DATE : MAY 2015 SCALE : N.T.S. DRAWN BY : CWP
CLIENT ST. CLAIR CATHOLIC DISTRICT SCHOOL BOARD	CHK. BY : CWP SHEET SIZE : 8.1/2"x11"
DRAWING TITLE ROOF DETAIL	PROJECT FILE NO. RBS15-15 DRAWING NO. D-1



LOWER PARAPET DETAIL

SCALE : 1" = 1'-0"

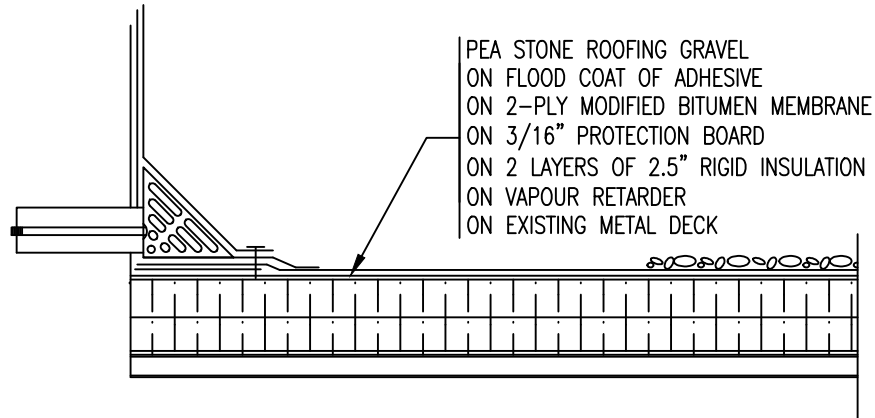
PROJECT URSULINE COLLEGE SECONDARY SCHOOL 85 GRAND AVENUE WEST CHATHAM, ONTARIO	DATE : MAY 2015
CLIENT ST. CLAIR CATHOLIC DISTRICT SCHOOL BOARD	SCALE : N.T.S.
DRAWING TITLE ROOF DETAIL	DRAWN BY : CWP
	CHK. BY : CWP
	SHEET SIZE : 8.1/2"x11"
	PROJECT FILE NO. RBS15-15
	DRAWING NO. D-2



WALL DETAIL BETWEEN UPPER/LOWER ROOF AREAS

SCALE : 1" = 1'-0"

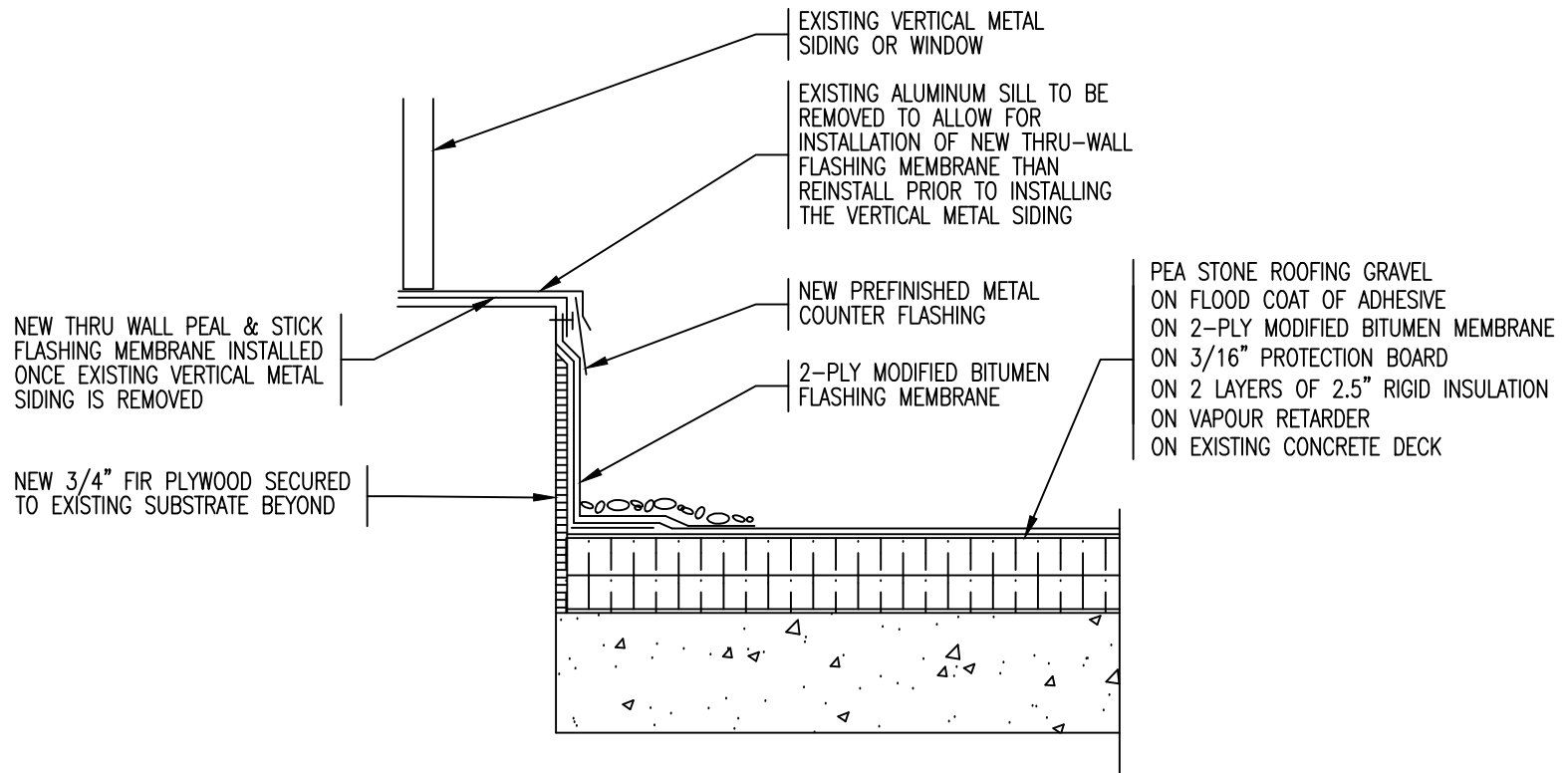
PROJECT URSULINE COLLEGE SECONDARY SCHOOL 85 GRAND AVENUE WEST CHATHAM, ONTARIO	DATE : MAY 2015
CLIENT ST. CLAIR CATHOLIC DISTRICT SCHOOL BOARD	SCALE : N.T.S.
DRAWING TITLE ROOF DETAIL	DRAWN BY : CWP
	CHK. BY : CWP
	SHEET SIZE : 8.1/2"x11"
	PROJECT FILE NO. RBS15-15
	DRAWING NO. D-3



SCUPPER DETAIL

SCALE : 1" = 1'-0"

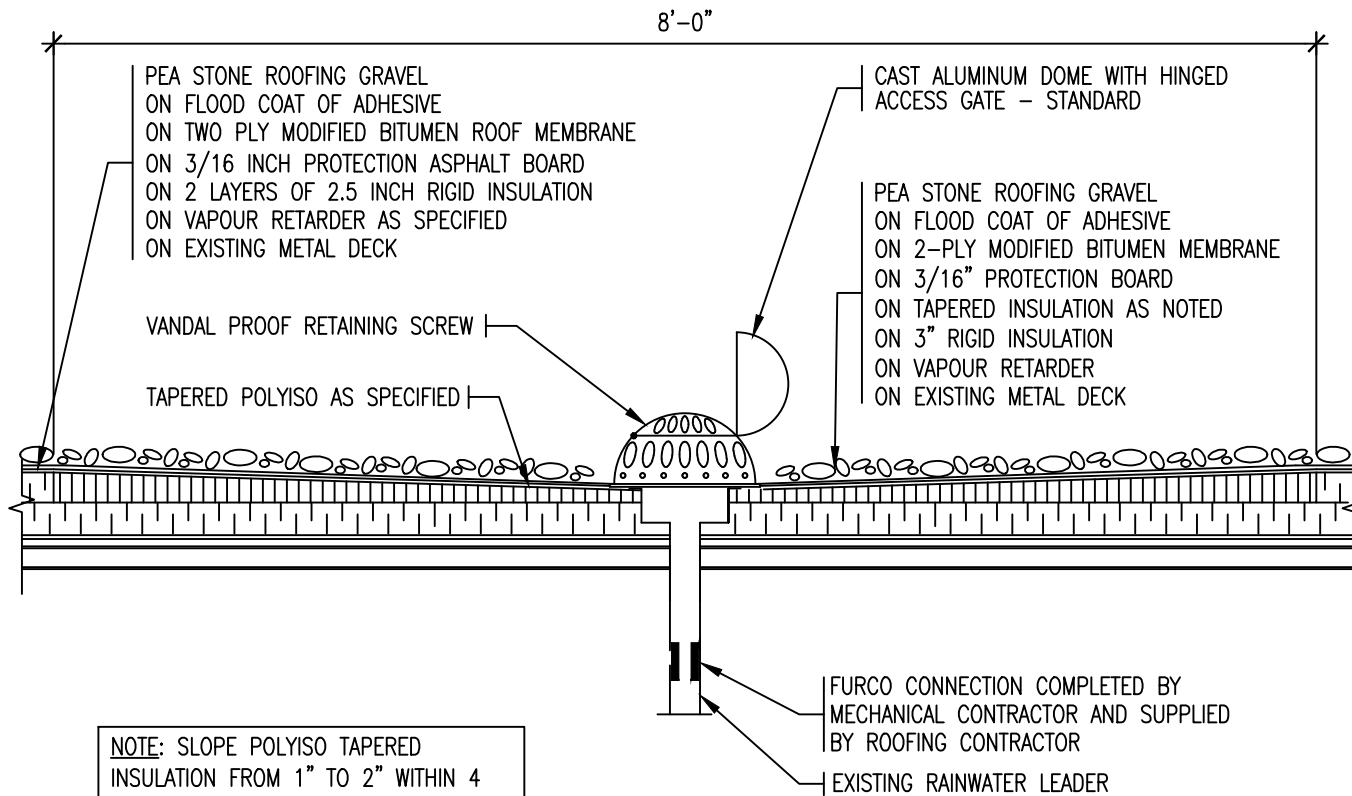
PROJECT	DATE :	MAY 2015
URSULINE COLLEGE SECONDARY SCHOOL 85 GRAND AVENUE WEST	SCALE :	N.T.S.
CHATHAM, ONTARIO	DRAWN BY :	CWP
CLIENT	CHK. BY :	CWP
ST. CLAIR CATHOLIC DISTRICT SCHOOL BOARD	SHEET SIZE :	8.1/2"x11"
DRAWING TITLE	PROJECT FILE NO.	RBS15-15
ROOF DETAIL	DRAWING NO.	D-4



DETAIL AT METAL SIDING / WINDOW

SCALE : 1" = 1'-0"

PROJECT URSULINE COLLEGE SECONDARY SCHOOL 85 GRAND AVENUE WEST CHATHAM, ONTARIO	DATE : MAY 2015
CLIENT ST. CLAIR CATHOLIC DISTRICT SCHOOL BOARD	SCALE : N.T.S.
DRAWING TITLE ROOF DETAIL	DRAWN BY : CWP
	CHK. BY : CWP
	SHEET SIZE : 8.1/2"x11"
	PROJECT FILE NO. RBS15-15
	DRAWING NO. D-5



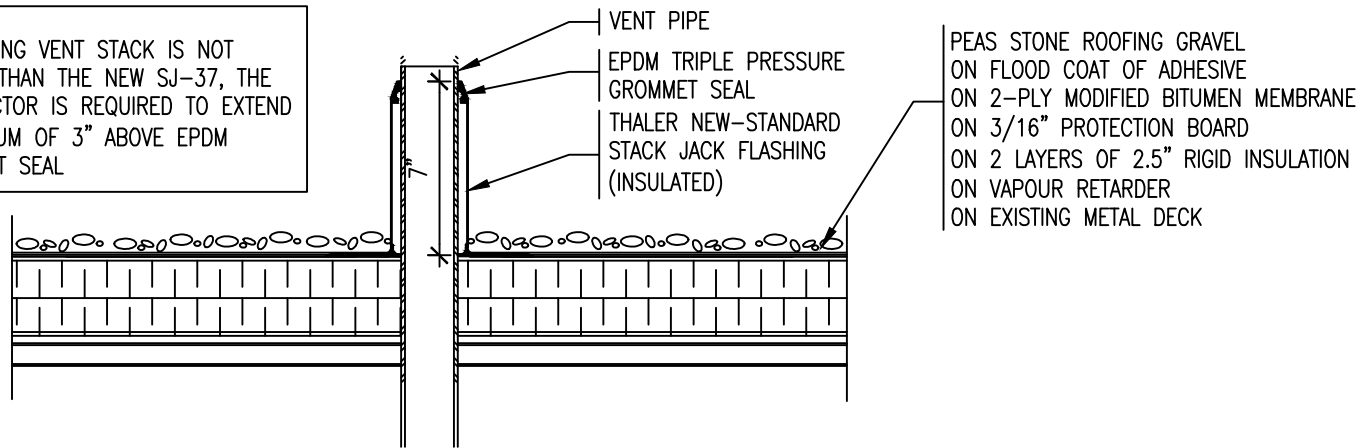
NOTE: SLOPE POLYISO TAPERED
INSULATION FROM 1" TO 2" WITHIN 4
FEET

ROOF DRAIN DETAIL

SCALE : 1" = 1'-0"

PROJECT URSULINE COLLEGE SECONDARY SCHOOL 85 GRAND AVENUE WEST CHATHAM, ONTARIO	DATE : MAY 2015 SCALE : N.T.S. DRAWN BY : CWP
CLIENT ST. CLAIR CATHOLIC DISTRICT SCHOOL BOARD	CHK. BY : CWP SHEET SIZE : 8.1/2"x11"
DRAWING TITLE ROOF DETAIL	PROJECT FILE NO. RBS15-15 DRAWING NO. D-6

NOTE:
 IF EXISTING VENT STACK IS NOT
 HIGHER THAN THE NEW SJ-37, THE
 CONTRACTOR IS REQUIRED TO EXTEND
 A MINIMUM OF 3" ABOVE EPDM
 GROMMET SEAL



VENT PIPE STACK DETAIL

SCALE : 1" = 1'-0"

PROJECT URSULINE COLLEGE SECONDARY SCHOOL 85 GRAND AVENUE WEST CHATHAM, ONTARIO	DATE : MAY 2015 SCALE : N.T.S. DRAWN BY : CWP
CLIENT ST. CLAIR CATHOLIC DISTRICT SCHOOL BOARD	CHK. BY : CWP SHEET SIZE : 8.1/2"x11"
DRAWING TITLE ROOF DETAIL	PROJECT FILE NO. RBS15-15 DRAWING NO. D-7